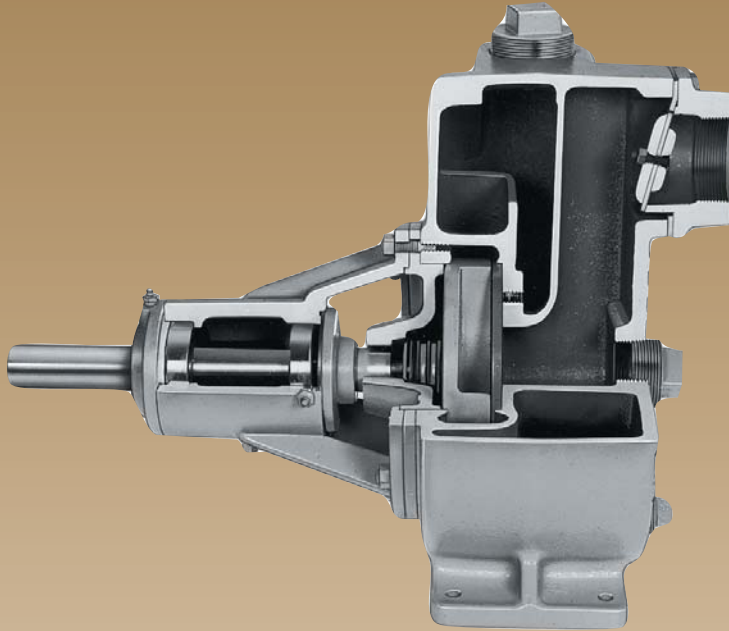


Industrial

MIT Series



Applications

The Monarch MIT Series of heavy duty self priming pumps are of all iron construction and can be used in a wide variety of applications, including industrial and marine installations.

Features

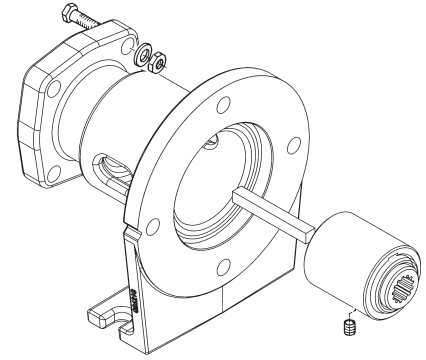
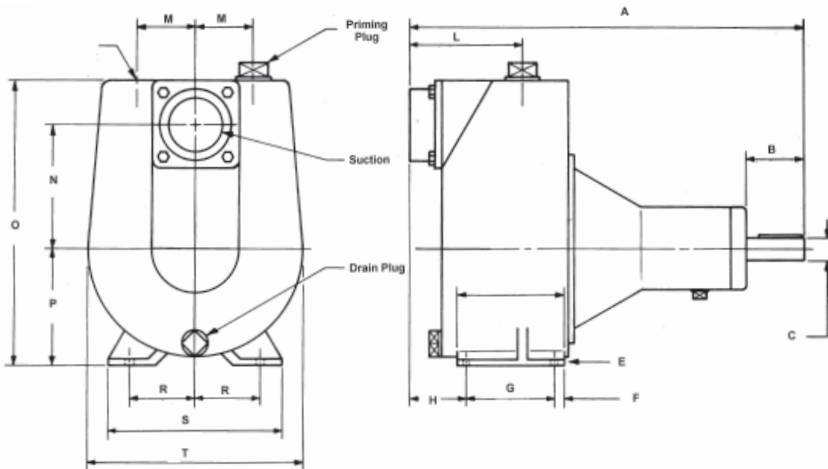
- **SHAFT** – Stainless steel, with keyway.
- **IMPELLER** – Semi open cast iron, non clogging, designed for water but can also handle small quantities of mud, sand or silt up to 10% by volume.
- **PRIMING PLUG** – Enables priming, without having to disconnect the discharge piping.
- **CHECK VALVE** – Built-in with threaded NPT suction inlet, prevents syphoning, facilitates priming.
- **BEARINGS** – Two heavy duty sealed ball bearings.
- **SEAL** – Viton and stainless steel with carbon-ceramic faces, mechanical self lubricating, no maintenance required.
- **CASING** – Cast gray iron rugged construction large capacity for faster priming. Self cleaning interior design prevents silt build up.
- **WEAR PLATE** – Replaceable steel wear plate, for maintaining maximum pump efficiency.



MONARCH

Little GIANT®
Pumps. People. Partnerships.

Dimensional Outline



Hydraulic Motor Adapter Kit (612881)

Model No.	Discharge (NPT)	Suction (NPT)	Priming Plug NPT	Drain Plug NPT	A	B	C	D	E	F	G	H	L	M	O	P	R	S	T
MIT-20H	2	2	1 1/2	3/4	20	3.06	1.25	0.44	0.53	4	3.5	5.5	3.13	6.19	13.63	5.31	4.25	9.75	10.5
MIT-30H	3	3	3	3/4	23.63	3.5	1.25	0.56	0.63	4.75	5	7.75	3.25	7.31	15.88	6.13	5.38	12.13	12.75
MIT-40	4	4	4	1	27.75	3.5	1.63	0.56	0.75	6.5	4.94	8.69	4.75	9.25	20.5	8	6.75	15	15.75

*Dimensions measured in inches

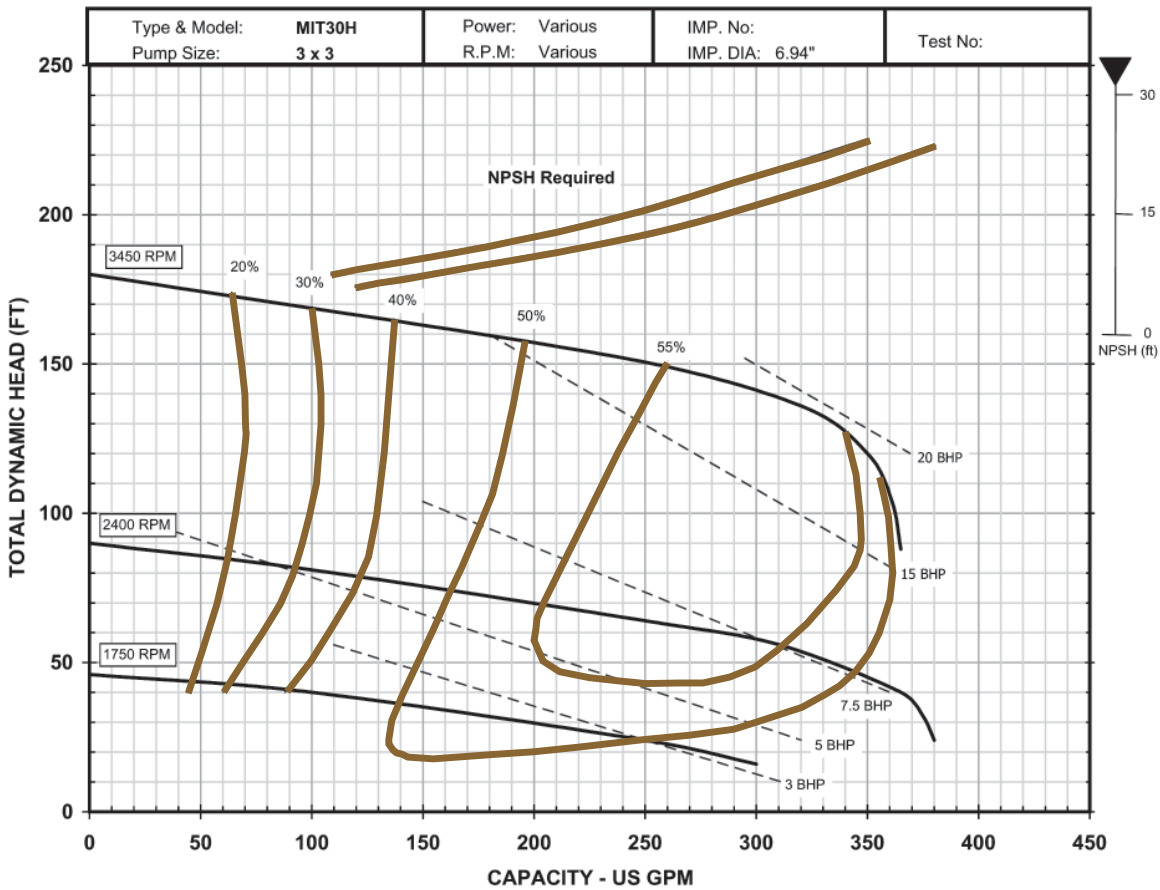
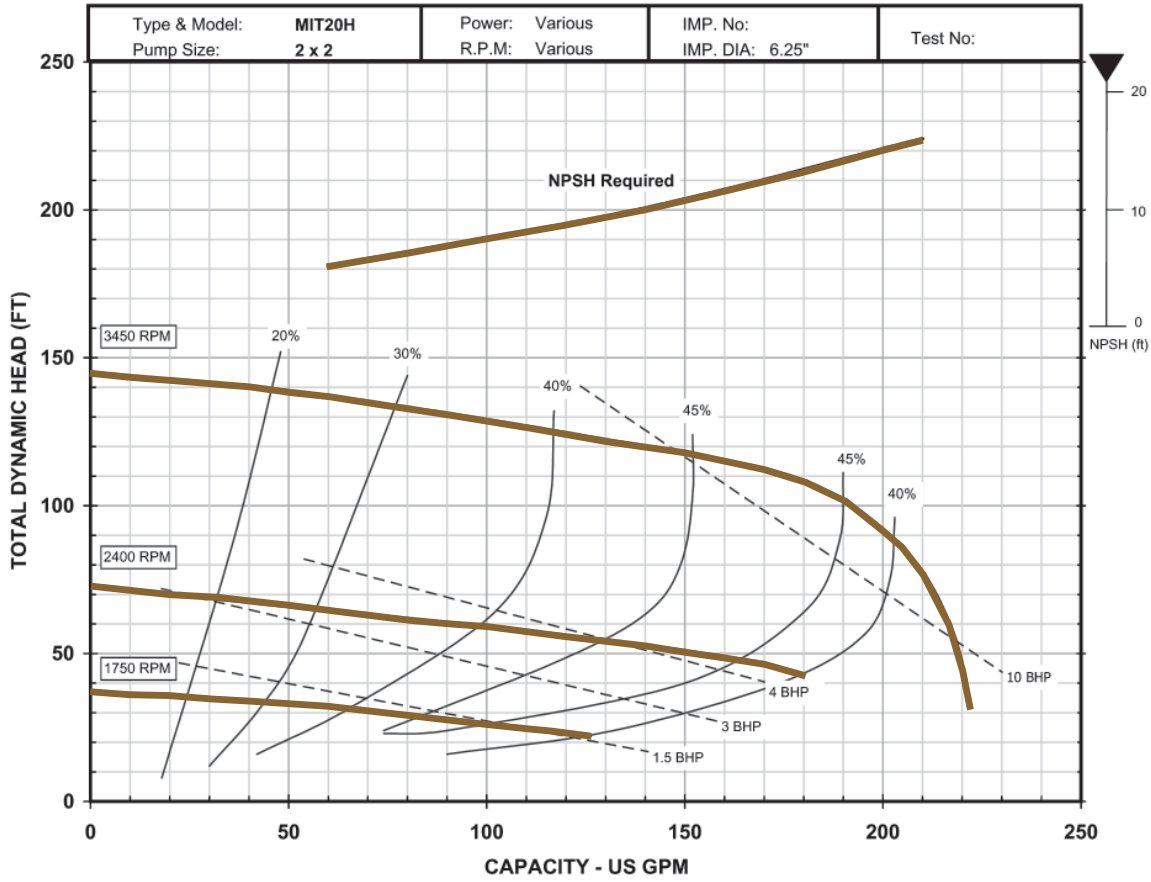
Performance

Model No.	Pump RPM	Max. Req'd HP	Total Head in Feet Including Friction Loss.																	
			20	40	60	80	100	120	140	160	180									
Capacities in U.S. GPM																				
MIT-20H	1750	2	125	-	-	-	-	-	-	-	-	-	-	-	-	-	-	-	-	-
	3450	15	-	220	215	205	190	140	45	-	-	-	-	-	-	-	-	-	-	-
MIT-30H	1750	3	280	100	-	-	-	-	-	-	-	-	-	-	-	-	-	-	-	-
	3450	20	-	-	-	365	360	350	310	170	5	-	-	-	-	-	-	-	-	-
MIT-40	1750	15	760	640	410	-	-	-	-	-	-	-	-	-	-	-	-	-	-	-
	2400	25	-	-	-	690	630	460	70	-	-	-	-	-	-	-	-	-	-	-

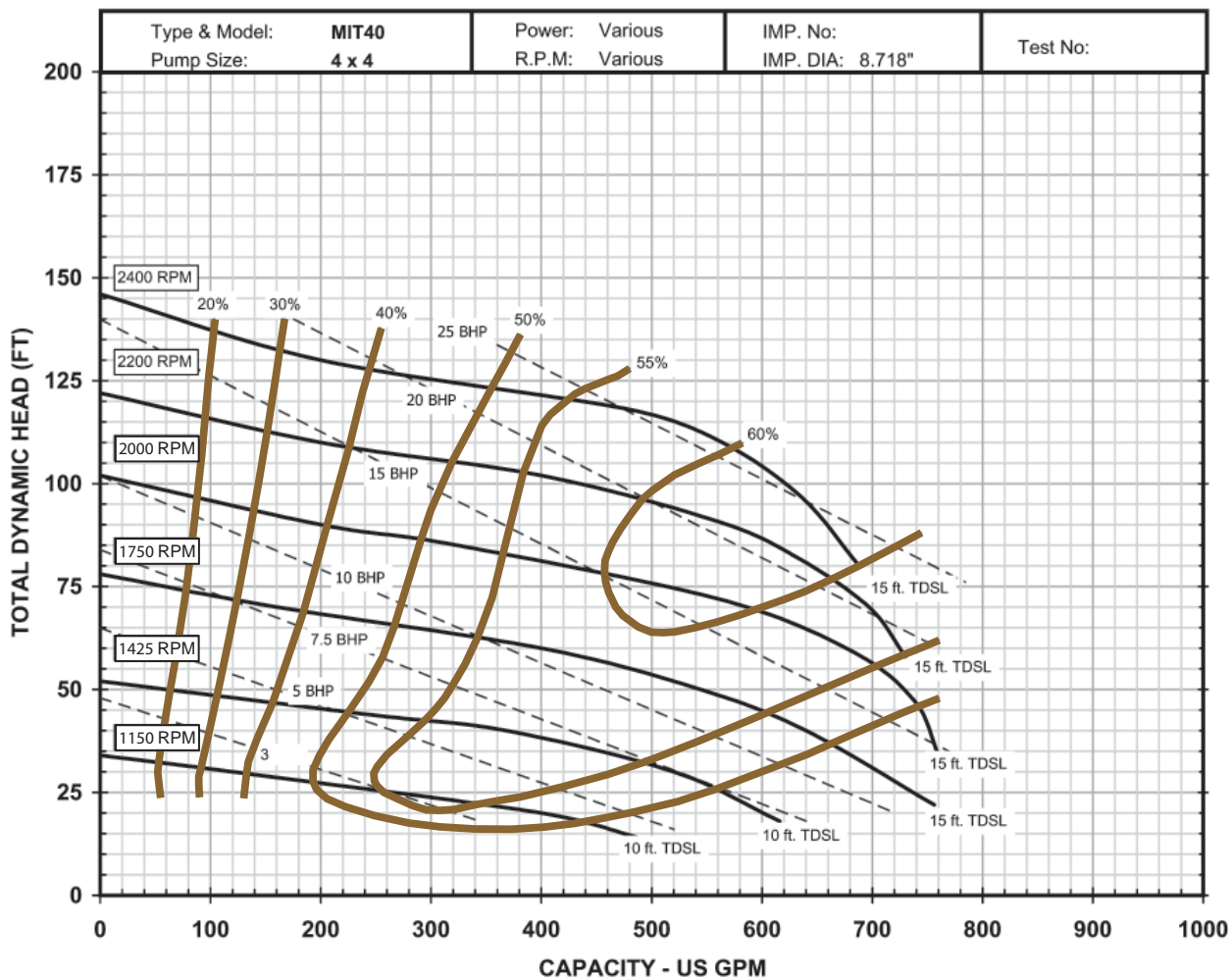
MIT Series Frame Mount

Model No.	Item No.	Suction & Discharge NPT	Solids Handling	Shaft Diameter	Shaft Length	Key Size	Ship Wt. (lbs.)
MIT-20H	611021	2"	3/4"	1 1/4"	3 1/16"	1/4"	108
MIT-30H	611041	3"	1"	1 1/4"	3 1/2"	1/4"	158
MIT-40	611061	4"	1 3/8"	1 5/8"	3 1/2"	3/8"	282
Hydraulic Adapter	612881	Includes bracket and coupling used to couple hydraulic motor with SAE j744C mounting flange to MIT-40.					

Performance Data



Performance Data, ctd.



Franklin Electric

P.O. Box 12010
 Oklahoma City, OK 73157-2010
 Phone: 1.800.701.7894
 Fax: 1.800.678.7867
 www.LittleGiantPump.com